

PHRF RATING CERTIFICATE

OCBC • LAKE HEFNER

Sail No. _____ Owner _____
Yacht Name _____ Address _____
Class _____ City _____
Date _____ Telephone _____

I certify that my yacht is of the above type, as the type is defined in the "USSA PHRF Handicaps" of the current year, that its P, E, I and J measurements are not greater than those specified by the manufacturer for that type, that the yacht is unmodified and carries normal furnishings and equipment (is not "stripped out") and that my sails and spinnaker pole measurements, except as described below, do not exceed:

Main Luff P Spinnaker SMG 180% J Spinnaker Pole J
Main Foot E Spinnaker SL $(\sqrt{I^2+J^2}) \times .95$ Headsail LP 155% J

Any modifications or deviations from the above are fully described below under "Deviations From Standard Yachts". I also certify that I will not change any of the specifications on which this certificate is based without notifying the Lake Hefner PHRF Rating Committee.

Signature: _____

DEVIATIONS FROM STANDARD YACHT

USE THIS SECTION ONLY FOR MODIFIED OR NON-STANDARD YACHTS. All dimensions are to be given in feet and inches or pounds, as appropriate. Include any information which might be helpful in determining an accurate rating for your yacht. If it is a "one off" or other yacht not listed in the USSA ratings, all information should be given.

HULL: (fill in all)

LOA _____ LWL _____ BEA _____ DRAFT _____ DISPLACEMENT _____

RIG: (check one) Masthead Fractional (% if fractional) _____

KEEL: (check one) FIN FULL CENTERBOARD DAGGERBOARD SWING

SAIL MEASUREMENTS: (fill in all)

P _____ I _____ Spinnaker SMG _____ Headsail LP (% of J) _____

E _____ J _____ Spinnaker SL _____ Spinnaker Pole _____

AUXILIARY POWER: (check one)

Inboard Outboard Saildrive Fixed Outboard None

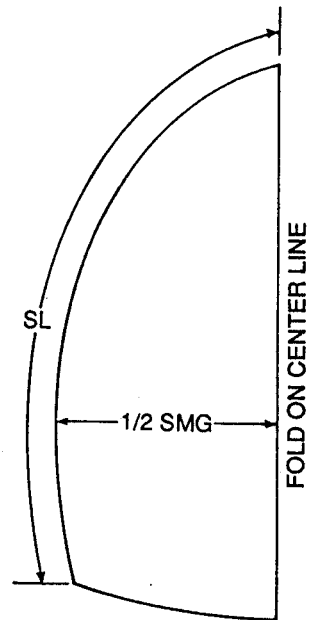
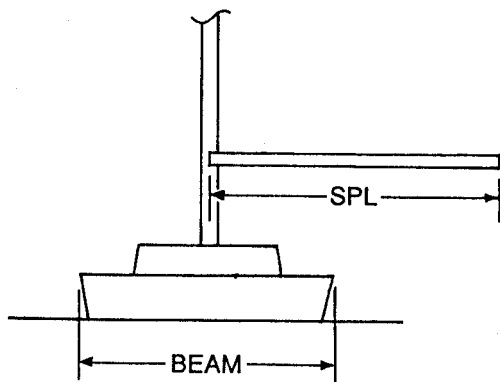
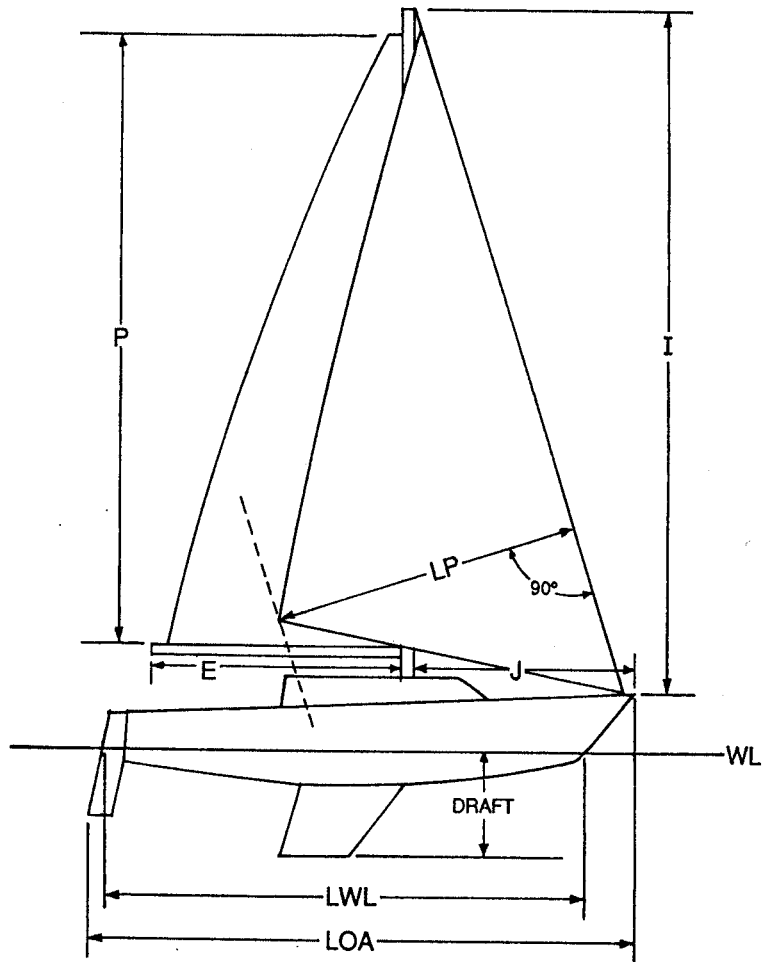
PROP: (check all that apply)

In aperture Folding Sail Drive Fixed Two Blade
 Exposed Shaft Feathering Strut Drive Fixed Three Blade

OTHER: (modifications or explanations as may be useful) _____

RATING COMMITTEE USE ONLY

Base Rating _____ Comments: _____
Hull/Keel Adjustments _____
Genoa adjustments _____
Spinnaker adjustments _____
Motor/Prop adjustments _____ Date: _____ Rating: _____ sec/mile
Other adjustments _____
Final Rating _____ Signature: _____



SPIN. GIRTH MEAS.